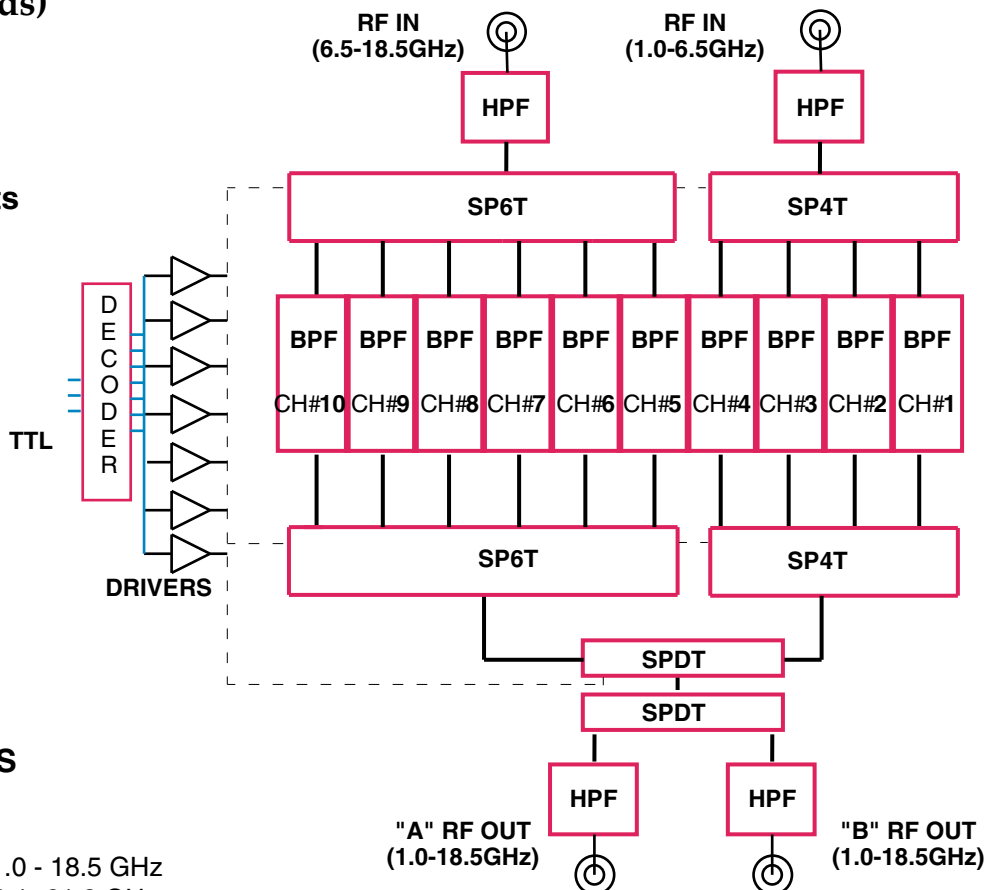


# SWITCH / FILTER BANK ASSEMBLY

10 CHANNELS

1.0 - 18.5 GHz (Pass Bands)

- Rejection to 21 GHz
- Broad Band Performance
- Dual Inputs & Dual Outputs
- 10 Band Pass Filters
- 4 High Pass Filters
- 6 Multi-throw Switches
- TTL Drivers
- Decoder
- Compact Size



## SPECIFICATIONS (P/N 10SF8181)

<b>PASS BANDS</b>	1.0 - 18.5 GHz
<b>REJECTION RANGE</b>	0.1- 21.3 GHz.
<b>INSERTION LOSS</b>	11.0 dB max.
<b>VSWR</b>	2.2:1 max.
<b>ISOLATION</b>	55 dB min.
<b>RF OPERATING POWER</b>	+25 dBm
<b>SWITCHING SPEED</b>	200 nano sec. max.
<b>CONTROL LOGIC</b>	TTL (Decoded)
<b>POWER SUPPLY</b>	300mA @+5V 120mA @-15 V

<b>SIZE</b>	4.40" x 5.00" x 0.61"
<b>CONNECTORS</b>	SMA Female
<b>OPERATING TEMPERATURE</b>	-30°C to +85°C

## FILTER CHARACTERISTICS

<b>PASS BAND</b> (GHz)	<b>55 dB STOP</b> <b>BANDS</b> (GHz)
1.0 - 1.5	.1 - 0.85, 1.73 - 21.3
1.5 - 2.5	.1 - 1.27, 2.88 - 21.3
2.5 - 4.5	.1 - 2.12, 5.18 - 21.3
4.5 - 6.5	.1 - 3.82, 7.48 - 21.3
6.5 - 8.5	.1 - 5.52, 9.78 - 21.3
8.5 - 10.5	.1 - 7.22, 12.08 - 21.3
10.5 - 12.5	.1 - 8.92, 14.38 - 21.3
12.5 - 14.5	.1 - 10.62, 16.68 - 21.3
14.5 - 16.5	.1 - 12.32, 18.98 - 21.3
16.5 - 18.5	.1 - 14.02, 21.3